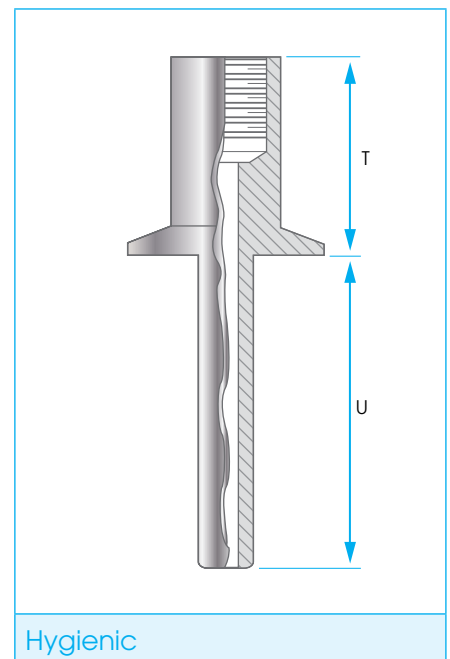
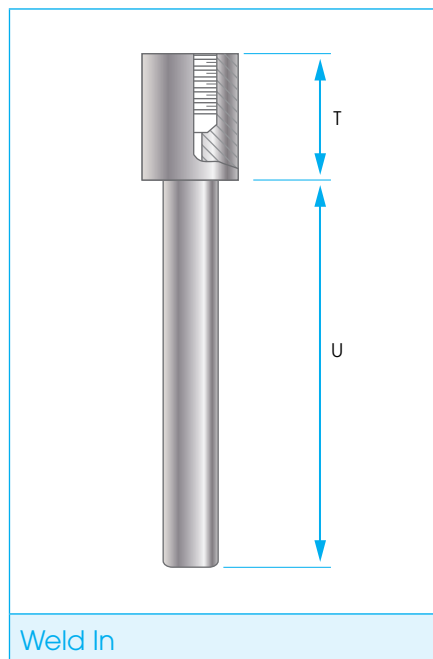
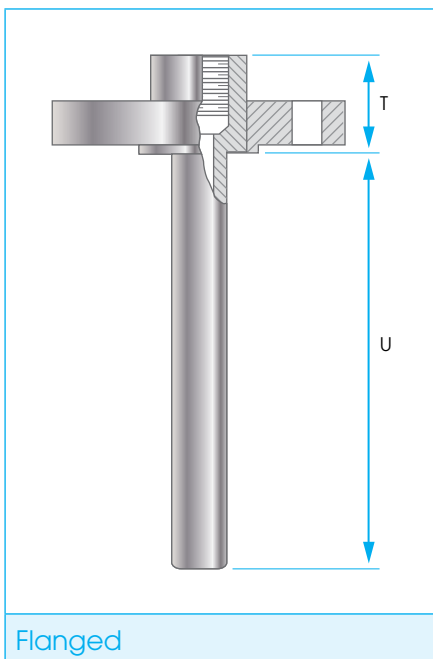
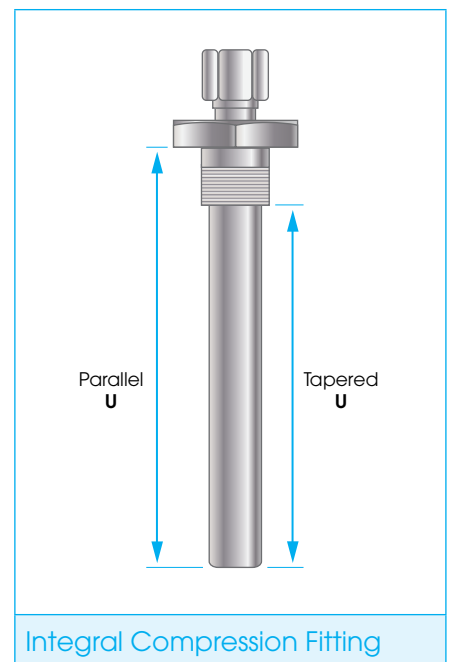
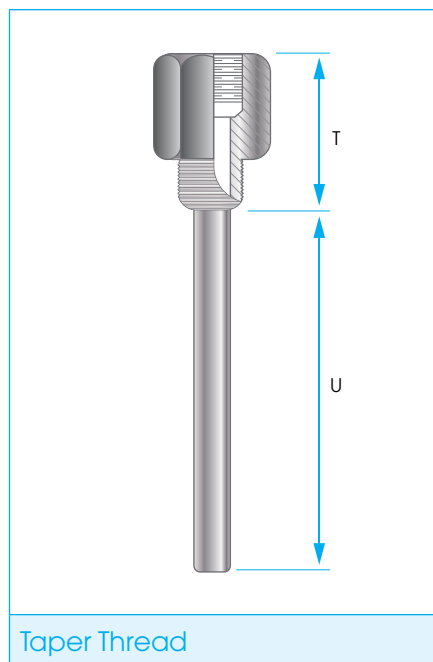
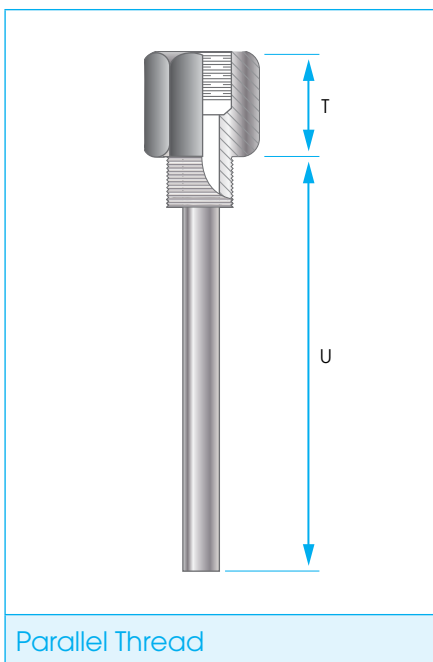


# Thermowells

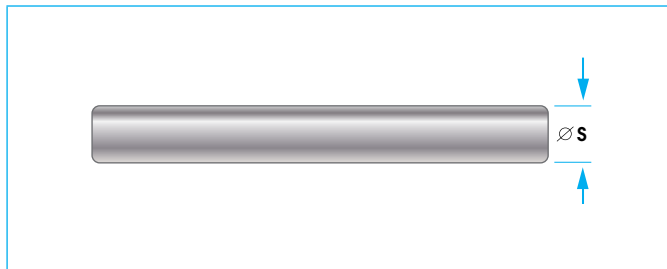
H&b manufacture a comprehensive range of both solid drilled, fabricated and forged thermowells.

A wide selection of configurations are available including screwed, flanged, welded or hygienic process attachments complete with a wide variety of extension pieces and additional options. Solid drilled thermowells as standard include 3.1 material certificates and internal pressure test. Fabricated thermowells include 3.1 material certificates and a leak test. Additional Testing is available including: Wake Frequency, Dye Penetrant, X-Ray, Positive Material Identification (PMI), Heat Treatment, Magnetic Particle Inspection, Oxygen Cleaning, Ultrasonic and Charpy Impact Testing.

## Process Connection



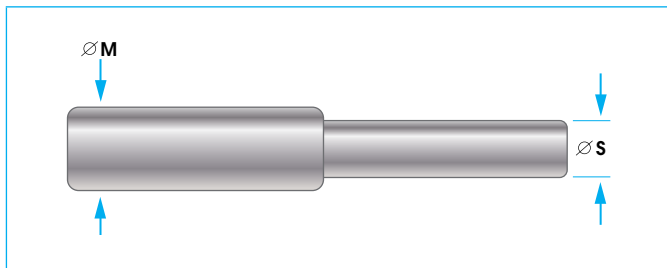
## Stem Types



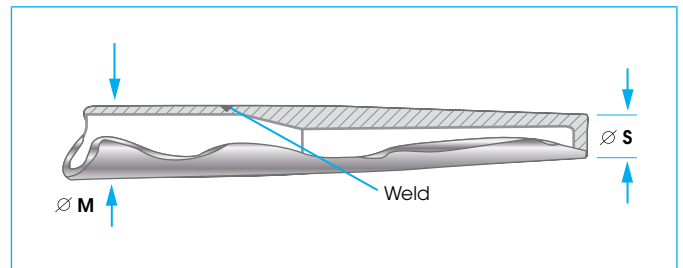
Parallel - Solid Drilled or Fabricated



Tapered - Solid Drilled

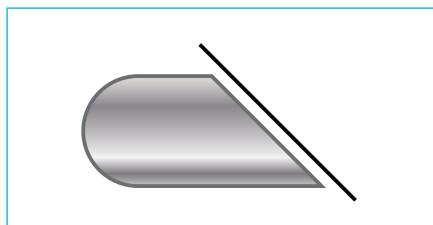


Stepped - Solid Drilled or Fabricated

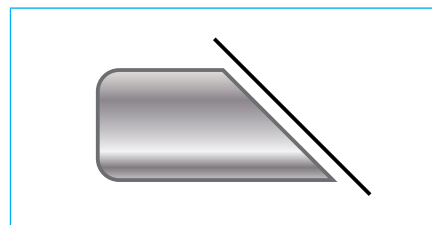


Combination

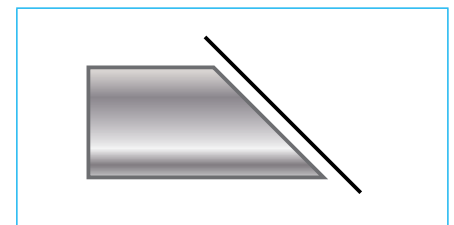
## Tip Styles



Spherical

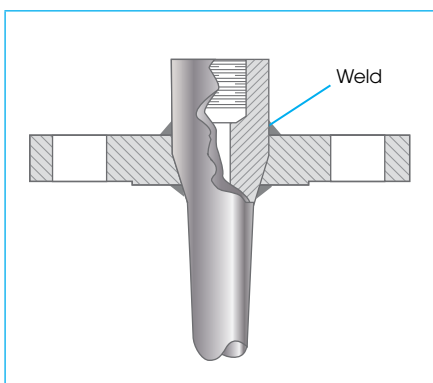


Radius

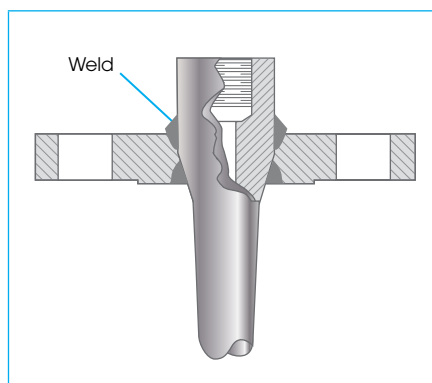


Flat

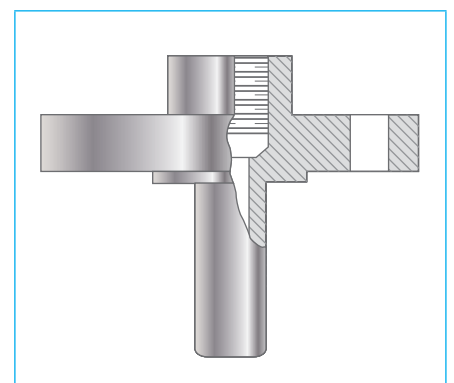
## Flange Connections



Seal Welded



Full Penetration Welded



Forged