

Thermocouples

H&b Sensors manufacture both class 1 and class 2 mineral insulated, fabricated and bare wire thermocouples suitable for temperature ranges between -250°C and +1300°C.

Utilising our specialist manufacturing facilities, H&b are able to manufacture thermocouple sensors for virtually any industrial or scientific application in accordance with national, international and customer specific standards.




Built to customer specification; thermocouples may be configured with options including, but not limited to the following: connection head, thermocouple type, wiring configuration, termination style, sheath material, lengths and diameters, junction type, tip style, ceramic sheath, thermowells and surface mount packages.

In addition H&b are licensed to manufacture sensor assemblies for use in hazardous areas requiring Exd or Exia certification.


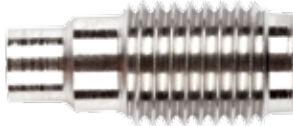
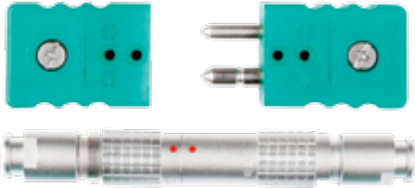





Type	Conductors +/- Operating Range	BS	ANSI	DIN	IEC/CEI
J	Iron Constantan 0-850°C				
K	Nickel Chromium / Nickel Aluminium -200°C - 1100°C				
T	Copper Constantan -250°C - 400°C				
E	Nickel Chromium / Constantan -200°C - 800°C				
N	Nicrosil/Nisil -250°C - 1300°C				

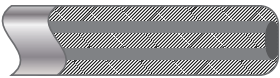
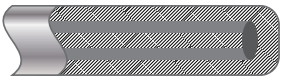
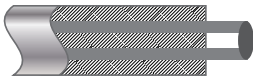
Wiring Configurations

		
Simplex	Duplex	Triplex

Cold End Connections

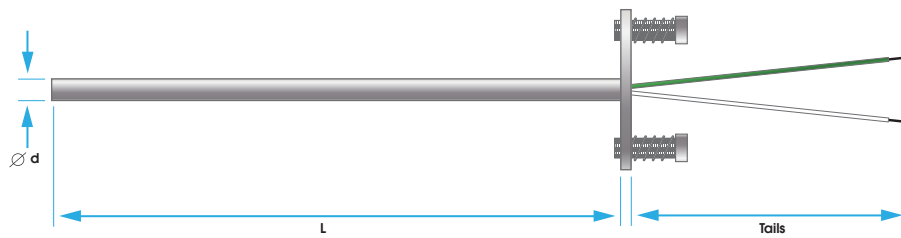
	
Plain Pot	ISO Pot
	
Plugs and Connectors	Cable
	
Terminal Block	Transmitter (See page 18 - 19 for technical information)

Hot End Junctions

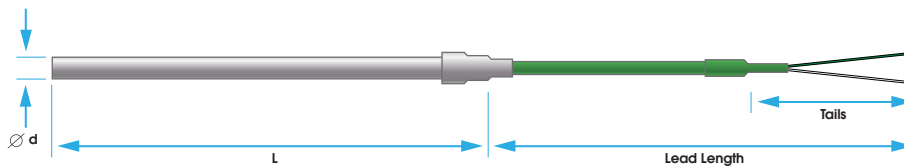
		
Grounded Thermocouple	Insulated Thermocouple	Exposed Thermocouple

Thermocouples

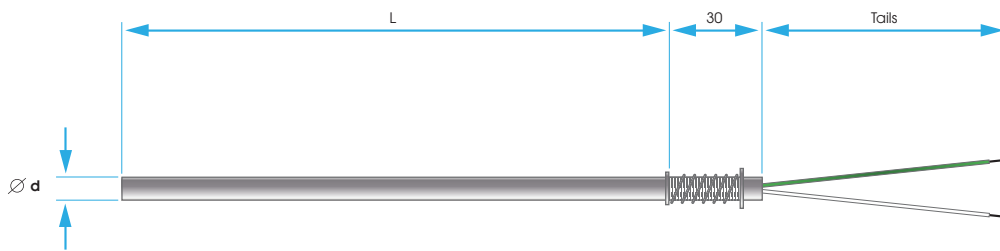
Sensor Configurations



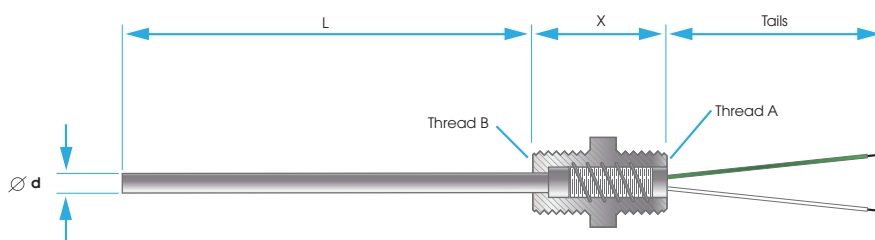
Spring Loaded Din Plate Insert



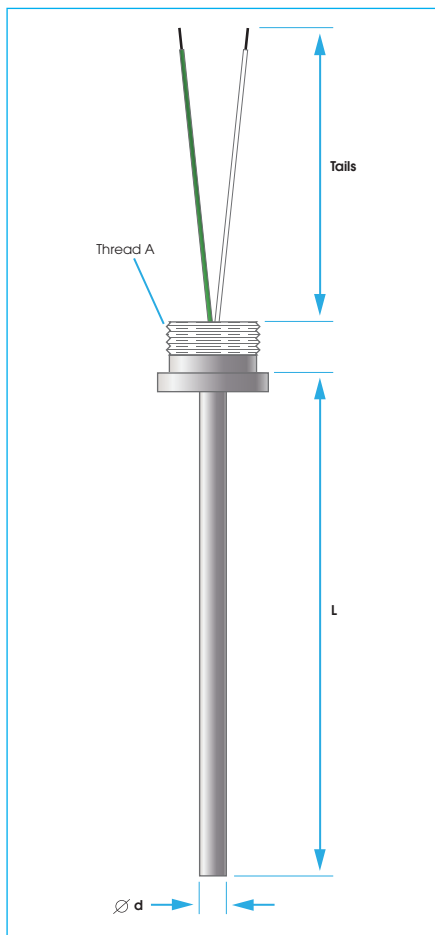
Cable Connection



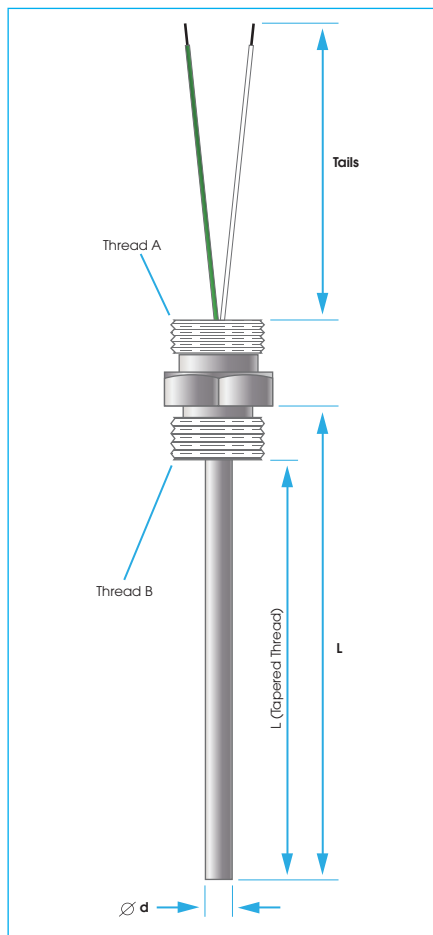
Spring Mounted Insert



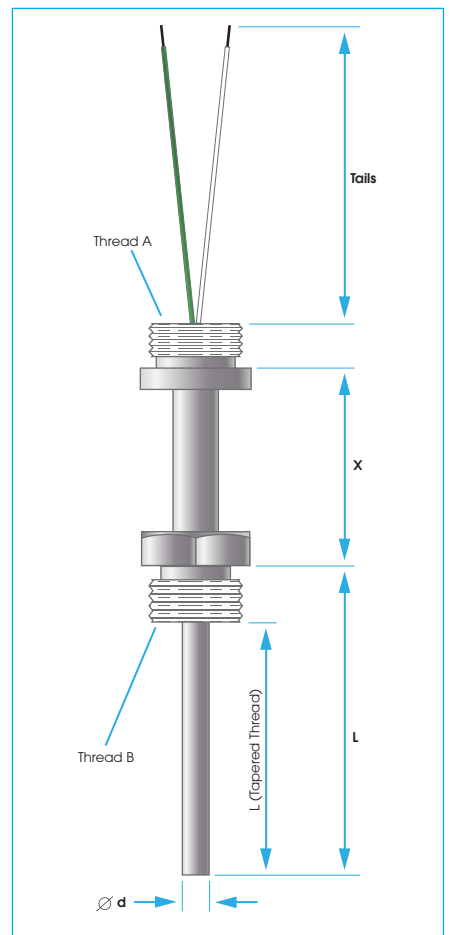
Spring Mounted Head Connection - With Process



Head Connection - No Process

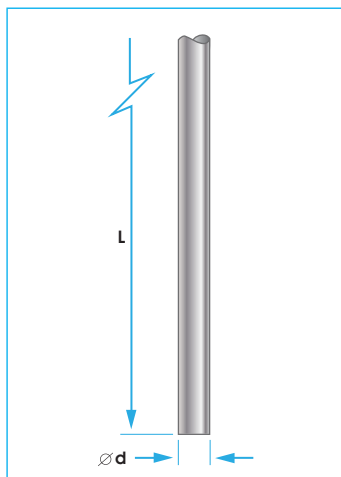


Head Connection - With Process

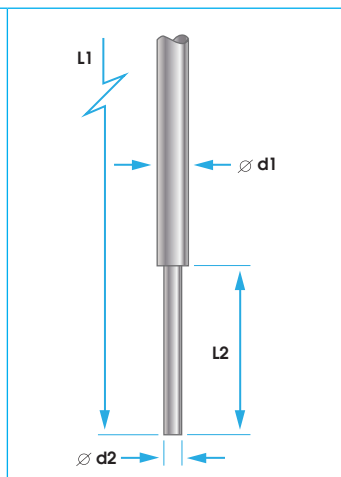


Head Connection - With Process + Extension

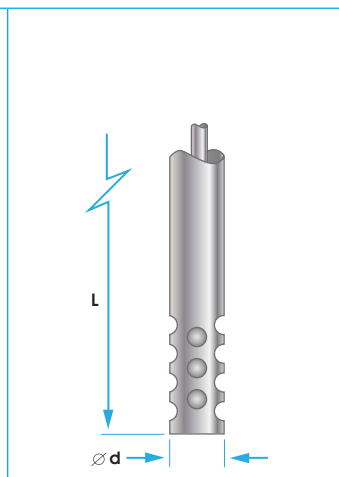
Tip Styles



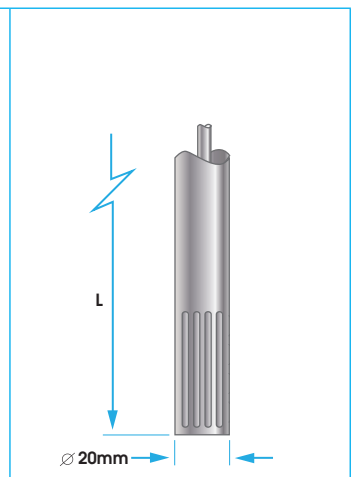
Standard



Reduced Tip



Drilled Guard Tube



Slotted Guard Tube