

Platinum Resistance Thermometers

H&b Sensors manufacture both mineral insulated and fabricated platinum resistance thermometers.

Suitable for temperature ranges between -200°C and $+600^{\circ}\text{C}$, platinum resistance thermometers provide highly repeatable, long term and high accuracy readings. Utilising our specialist manufacturing facilities, H&b are able to manufacture platinum resistance temperature sensors for virtually any industrial or scientific application in accordance with national, international and customer specific standards.

Built to customer specification; platinum resistance thermometers may be configured with options including; but not limited to the following: connection head, wiring configuration, termination style, sheath material, lengths and diameters, detector type, tip style, thermowells and surface mount packages.

In addition H&b are licensed to manufacture sensor assemblies for use in hazardous areas requiring Exd or Exia certification.



Sensor Types

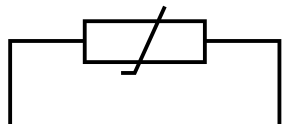
- Pt10** Platinum, $10\ \Omega$ at 0°C
- Pt100** Platinum, $100\ \Omega$ at 0°C
- Pt130** Platinum, $130\ \Omega$ at 0°C
- Pt500** Platinum, $500\ \Omega$ at 0°C
- Pt1000** Platinum, $1000\ \Omega$ at 0°C

Others available on request

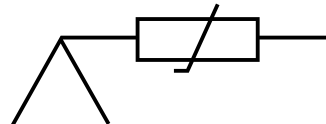
Detector Tolerances

Class	Accuracy @ 0°C
1/10 DIN	$\pm 0.03^{\circ}\text{C}$
1/5 DIN	$\pm 0.06^{\circ}\text{C}$
1/3 DIN	$\pm 0.08^{\circ}\text{C}$
Class A	$\pm 0.15^{\circ}\text{C}$
Class B	$\pm 0.30^{\circ}\text{C}$

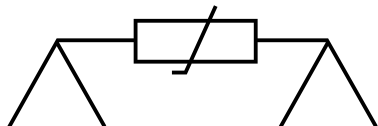
Wiring Configurations



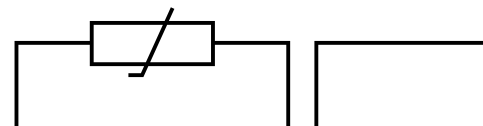
2 Wire



3 Wire



4 Wire



4 Wire Compensated (Blind Loop)

Cold End Connections



Plain Pot



ISO Pot



Plugs and Connectors



Cable



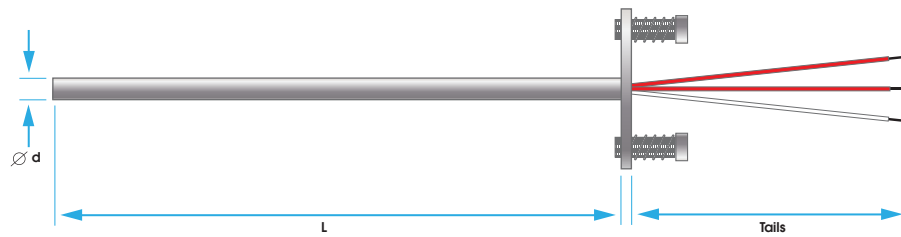
Terminal Block



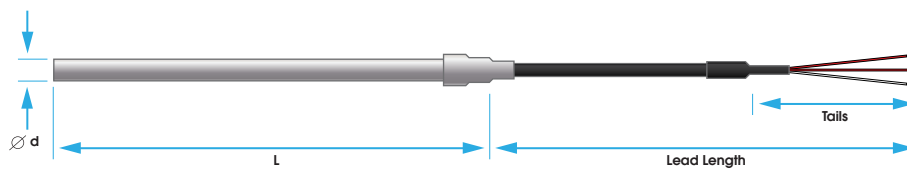
Transmitter (See pages 18 - 19 for technical information)

Platinum Resistance Thermometers

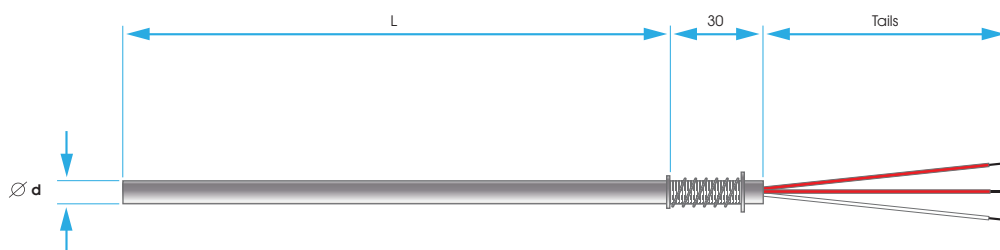
Sensor Configurations



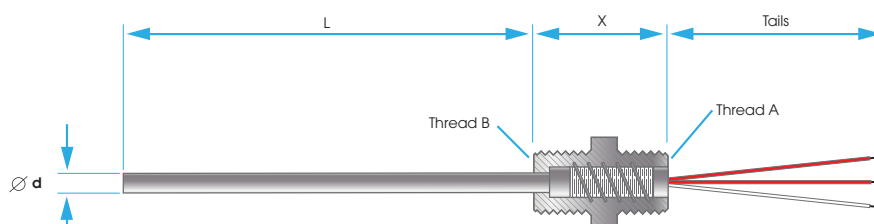
Spring Loaded Din Plate Insert



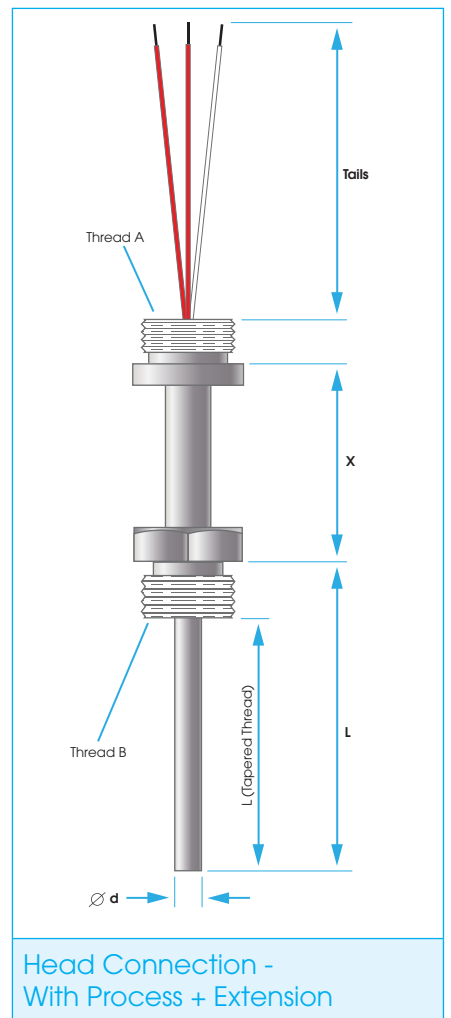
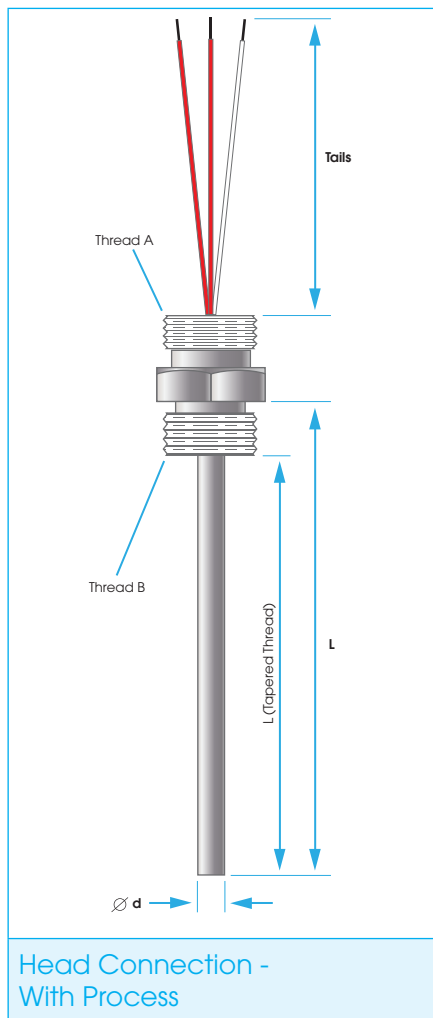
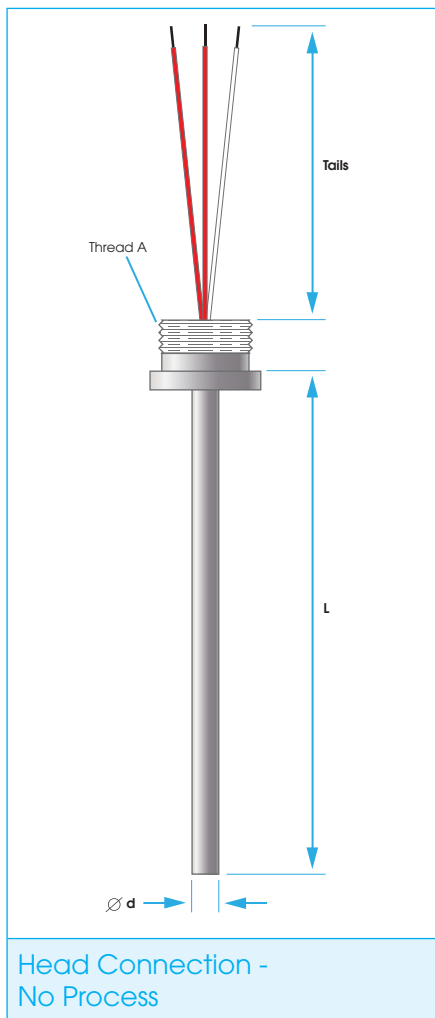
Cable Connection



Spring Mounted Insert



Spring Mounted Head Connection - With Process



Tip Styles

