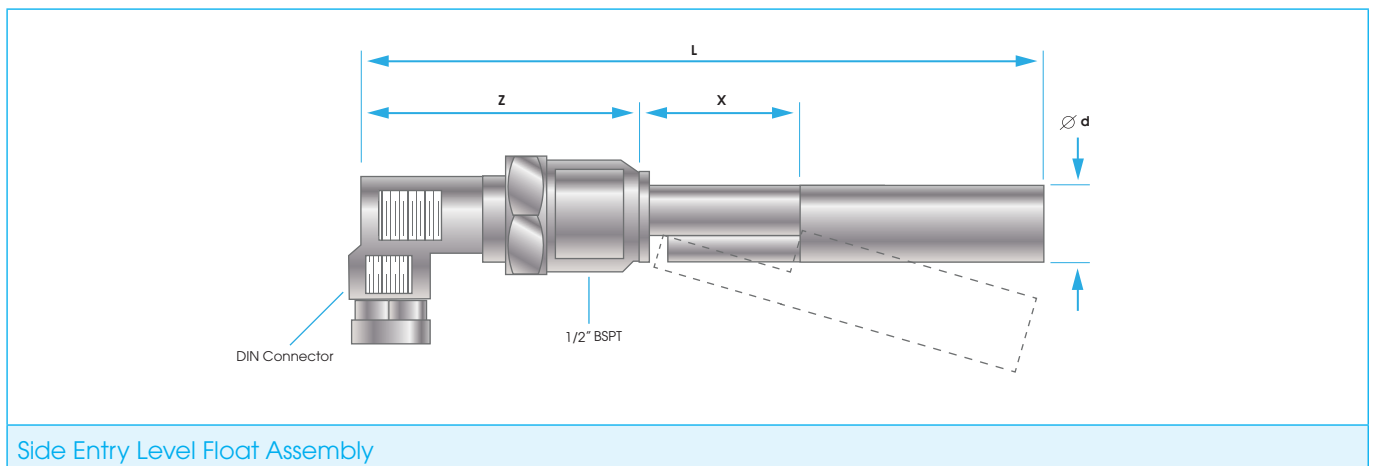
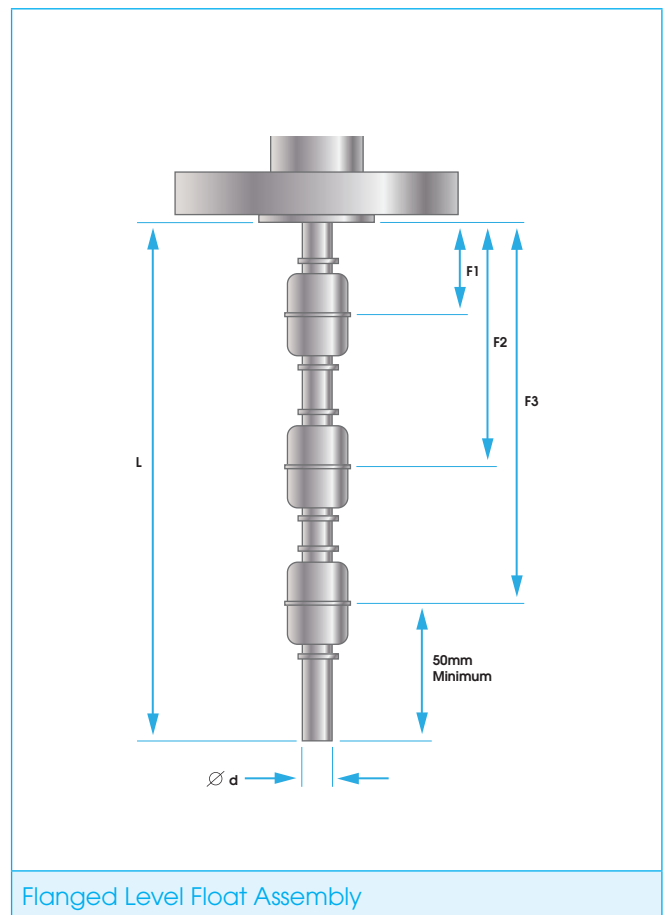
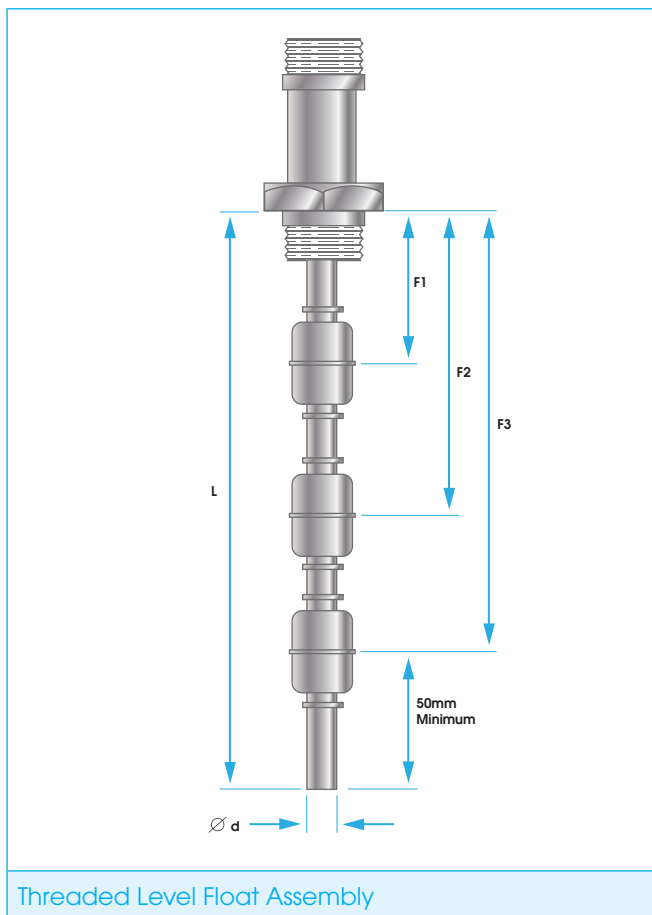


Level Float Switches

H&b Sensors manufacture a variety of level float switches to customer specification.

Float switches are efficient level detectors, simple to install, and designed for trouble free operation over a long period. Configurations include threaded or flanged process connections, number of floats and float style, ATEX Exd certification, and incorporation of temperature sensor or switch.



Style 1



Material	316 Stainless Steel
Max Operating Temperature	100°C
Max Operating Pressure	20 Bar
Special Gravity	0.75

Style 2



Material	316 Stainless Steel
Max Operating Temperature	100°C
Max Operating Pressure	30 Bar
Special Gravity	0.53

Style 3



Material	Buna - N
Max Operating Temperature	100°C
Max Operating Pressure	15 Bar
Special Gravity	0.47

